

Mistral Pneumatic Brakes



 **Wichita**[®]
Clutch

An Altra Industrial Motion Company

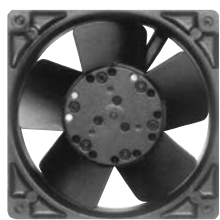


Mistral Pneumatic Brakes

Mistral comes from the stable of one of the world's foremost innovators of pneumatic operated tension brakes.

Wichita's design and research engineers have absorbed the needs of the corrugating and paper converting industry for an improved mill-roll-stand brake to suit current and future performance requirements. Many painstaking hours of design and consultation with the market have resulted in this compact high performance brake.

For modern corrugator and paper converting line speeds the Mistral brakes have the ideal parameters for existing and future machines. It paves the way to increase production output.



Integrated Cooling

A high performance, low energy cooling fan is housed within the brake to provide high heat dissipation - a must for higher productivity through controlled tension at high web speeds.

Fine Tuning

The brake may be fitted with a variable number of actuators, allowing precise selection of brake torque capacity for optimum tension control.



Front Cover Fixing

By removing just three cap screws, the front cover can be removed, allowing easy and fast access to the internal parts, which will also automatically disconnect the air and electricity supply.



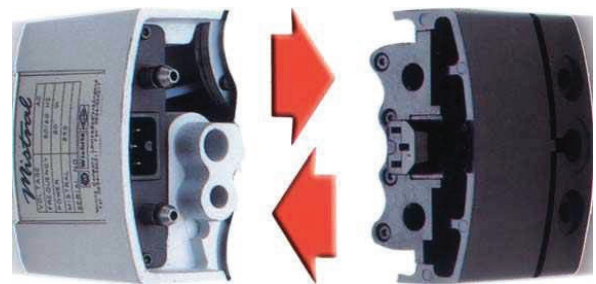
Brake Installation

A three bolt attachment is used to affix the brake to the arm of the mill-roll-stand and an optional spigot location makes installation, to both new and existing machines, a simple operation.

Features

Safety

Mistral has integral guarding, eliminating the cost and effort of fitting extra guarding. Another safety feature is that the pneumatic and electrical supply is automatically disconnected when the front cover is removed.



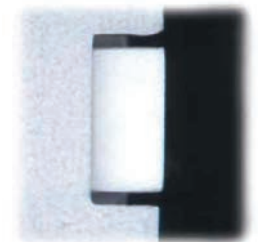
Neat and tidy air and electrical connections.

Compact Design

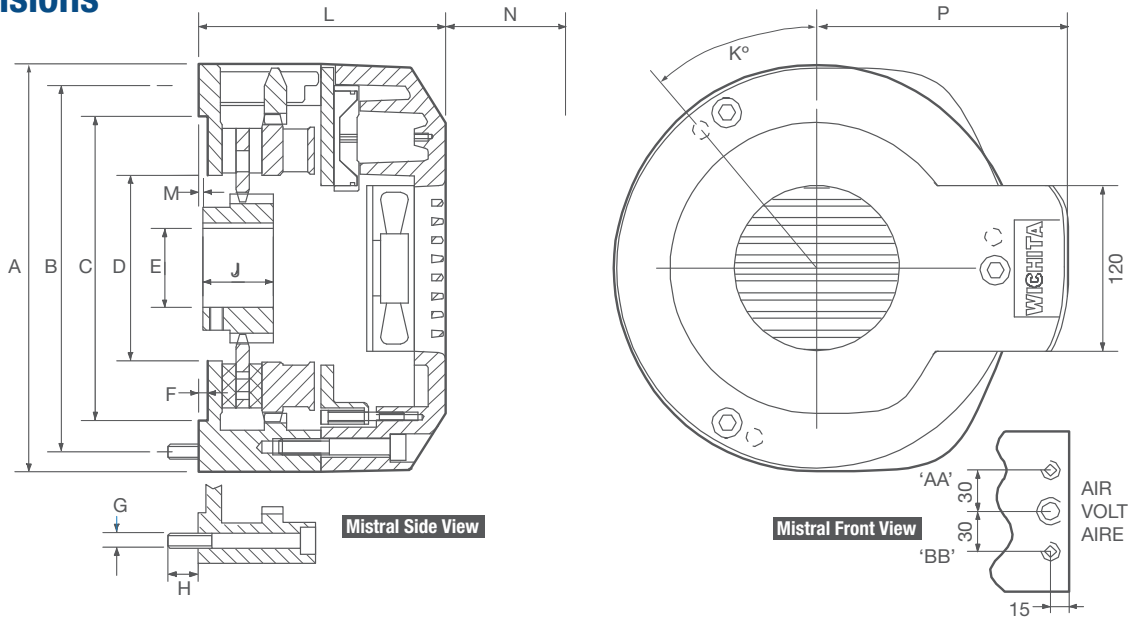
Because Mistral brakes are only 295 or 410 mm diameter, not only do they enhance the aesthetics of the mill-roll-stand, they also allow the operator to pick up small part reels used in short batch runs. For automatic reel loading machines the brakes offer the option of infrared and speed sensors fitted within the brake.

Wear Indicator

Fitted with a prominently positioned visual wear indicator, there is no need to lose valuable production time or even stop the machine to check the brake for wear.



Dimensions



Model(l)	A	B	C	D	E	F	G	H	J	K	L	M	N	P
200	295	260	220 H7	N/A	60	6	3xM12	25	50	40	178	0	70	182.5
280	410	355	N/A	175 H7	65	0	3xM16	30	60	20	192	9.5	80	240.5

Model	Fan Voltages	Fan Power	Electric	Pneum.
200	220VAC or/oder 110VAC or/oder 24VDC	20 W	M16 PG9 3/8 NPT	1/8 BSP 1/8 BSP 1/8 NPT
280	220VAC or/oder 110VAC or/oder 24VDC	25 W	M16 PG9 3/8 NPT	1/8 BSP 1/8 BSP 1/8 NPT

Actuator/Inlet	'AA'	'BB'
200/2	2	0
200/4	2	2
200/6	2	4
280/3	3	0
280/6	3	3
280/9	3	6

Performance

Model	Dynamic Slipping Torque Capacity			Heat Transfer Capacity			Max Speed	Inertia of Rotating Parts	Weight	
	Torque Universal Friction			No Fan	With Fan				Total Brake	Rotating Parts
	@ 0.2 bar*	@ 5.5 bar	@ 6 bar		Cont.	30 Min On/Off			[kg]	[kg]
	[Nm]	[Nm]	[Nm]	[kW]	[kW]	[kW]	[min ⁻¹]	[kgm ²]	[kg]	[kg]
200/2 200/4 200/6	7 14 22	198 396 594	216 432 648	1.1	2.4	2.8	2860	0.032	35	4.5
280/3 280/6 280/9	15 29 44	402 803 1205	438 876 1315	1.4	4.8	5.2	2090	0.076	50	9.4

* Torque value at 0.2 bar is for full quantity of actuators.
Torque at minimum quantity of actuators is shown in (parenthesis)

Torque at zero air pressure = zero Nm

Worldwide Distributors

Worldwide Support and Distributors

Argentina

TEKMATIC
(54114) 222-5040
(54114) 201-2478
info@tekmatic.com.ar

Australia

**Altra Industrial Motion
Australia (Pty) Ltd**
+61 2 9894 0133
+61 2 9894 0368
sales@wamerelectric.com.au

Austria

Bibus Austria
+43 2242 33388
+43 2242 3338810
info@bibus.at

Belgium

AZ Hollink
+32 (0) 3 722 11 18
+32 (0) 3 722 11 19
info@azhollink.be

Brazil

**KALATEC
AUTOMACAO**
(55193) 242-4797
(55193) 243-4316
kalatec@mpc.com.br

WAD EQUIPAMENTOS
(55313) 439-3439
(55313) 749-2129
wadventas@terra.com.br

Chile

CORYMAR
(563) 268-2807
(563) 297-8470
corymar@entelchile.net

KUPFER

(562) 696-5476
(562) 211-9801
akupfer@abkupfer.cl

Columbia

INDELEC LTDA.
(572) 683-3063
(572) 660-2064
indelec@indelec.com.co

JUAN ARIAS

1 954 603 6334
(571) 615-2420
juan.arias@altramotion.com

Sensores y Equipos
(574) 256-8301

WARNER INDUSTRIAL

(571) 679-3323
(571) 679-6672
warnerind@tutopia.com

Czech Republic

Bibus s.r.o.
+42 547 125 300
+42 547 125 319
bibus@bibus.cz

Denmark

AVN Automation A/S
+45 70 20 04 11
+45 86 80 55 88
fb@avn.dk

Ecuador

HIVIMAR Av.
(5934) 268-1100
(5934) 268-1199
info@hivimar.com

Egypt

Itaco
+ 20 2 2272 5754
+ 20 2 2273 7245
itacou@link.net

Eire

Torsion Dynamics Ltd
+353 1 846 1677
+353 1 846 1688
torsion@iol.ie

Finland

Knorring Oy AB
+358 9 56041
+358 9 565 2463
knorring@co.inet.fi

France

Société Fogex
+33 1 34 34 46 00
+33 1 34 34 46 01
info@fogex.com

Germany

**Stieber GmbH Abt.
Wichita**
+49 6221 3047 19
+49 6221 3047 17
sales@stieber.de

Greece

Dimitrios Deliyannis
+301 0610 8581
+301 0610 8583
delathen@ath.forthnet.gr

Hong Kong

**Altra Industrial Motion
Shui Hing Ltd**
+852 2615 9313
+852 2615 9162
info@altramotion.com.cn

Hungary

Bibus Kft
+36 1 265 2733
+36 1 264 8900
info@bibus.hu

India

**Francis Klein & Co.
Pvt. Ltd**
+91 20 255 397 70
+91 20 255 397 71
fkleinpune@francisklein.in

Israel

**Larom Import
Marketing**
+972 499 37333
+972 505 239552
avi@larom-marketing.co.il

Italy

**Bianchi Cuscini-
netti, Componenti E
Trasmissioni SpA**
+39 02 678 61
+39 02 670 1062
info@bianchicuscini.netti.it

Japan

Japan Wichita Co Ltd
+ 81 3 3456 1461
+ 81 3 3456 1484
info@japanwichita.co.jp

Mexico

**Industrial Magza,
S.A. de G.V**
68-63-28-31/55-60-00-53
55-60-07-56
magza@eclips.com.mx

New Zealand

**Altra Industrial Motion
Australia (Pty) Ltd**
+61 2 9894 0133
+61 2 9894 0368
sales@wamerelectric.com.au

Norway

Betamo A S
+47 6927 5510
+47 6927 4550
benghans@c2i.net

Peru

BC Bearing Peru
(51 1) 561-9868
ventas-stgo@bcbearing.cl

Philippines

**Altra Industrial Motion
(Singapore) Pte. Ltd**
+ 65 6487 4464
+ 65 6487 6674
sales@wamerelectric.com.sg

Poland

**Bibus Menos Sp.
z.o.o.**
+48 58 660 95 70
+48 58 661 71 32
info@bibusmenos.pl

Portugal

**Pinhol, Gomes &
Gomes Lda**
+ 351 21 425 6850
+ 351 21 425 6859
import.export@pinhol.
com.pt

Singapore

**Altra Industrial Motion
(Singapore) Pte. Ltd**
+ 65 487 4464
+ 65 487 6674
sales@altramotion.com.sg

Slovakia

Bibus SK s.r.o
+421 37/777 79 11
+421 3765 16701

Slovenia

INOTEH d.o.o.
+38 626 651 131
+38 626 652 081
info@inoteh.si

South Africa

**Sintech Torque
Control**
+ 27 11 823 2359
+ 27 11 823 2387
sales@sintech.co.za

Spain

**S.I.T. Sociedad
Industrial De
Transmisiones, SA**
+34 943 45 7200
+34 943 46 3356
atencioncliente@sitsa.es

Sweden

**LÖNNE
SCANDINAVIA AB**
+46 (0) 42 38 03 00
+46 (0) 42 38 03 09
info.sweden@lonne.com

Switzerland

Laesser AG
+41 62 791 6841
+41 62 791 3903
info@laesser-ag.ch

Taiwan

**Warner Electric
(Taiwan) Ltd**
+ 886 2 577 8156
+ 886 2 570 6358
sales@altramotion.
com.tw

Thailand

**Altra Industrial Motion
(Industrial) Ltd**
+ 662 322 5527
+ 662 320 2380
kittipong.brahmasakha@
wamerelectric-ap.com

The Netherlands

**Stemin Power
Transmission**
+31 (0)673 252043
+31 (0)673 257113 &
256009
info@stemin.nl

Turkey

**BIBUS Otomasyon
San ve Tic.Ltd.Sti.**
+90 212 293 82
+90 212 249 88 34
info@bibus.com.tr

Teka Teknik Cihazlar Sanayii ve Ticaret AS

+90 212 274 5124
+90 212 272 1568
skaya@tekat teknik.com.tr

U.S.A.

Industrial Clutch Products

+1 262 547 3357
+1 262 547 2949
info@indclutch.com

Wichita Clutch

+1 940 767 2000
+1 940 723 3436
wichita.info@wichitaclutch.com

Venezuela

**TRP2800 C.A. CC y
professional** Ceravica
Of. 7
(58241) 617-2033
(58241) 825-8073
trp2800@telcel.net.ve

W Malaysia

**Altra Industrial Motion
(Singapore) Pte. Ltd**
+ 65 487 4464
+ 65 487 6674
sales@altramotion.com.sg



www.wichitaclutch.com

2800 Fisher Road
Wichita Falls, TX 76302 - USA
940-723-3400
Fax: 940-723-3436

www.wichita.co.uk

Amphill Road
Bedford MK42 9RD - UK
+44 (0) 1234 350311
Fax: +44 (0) 1234 350317